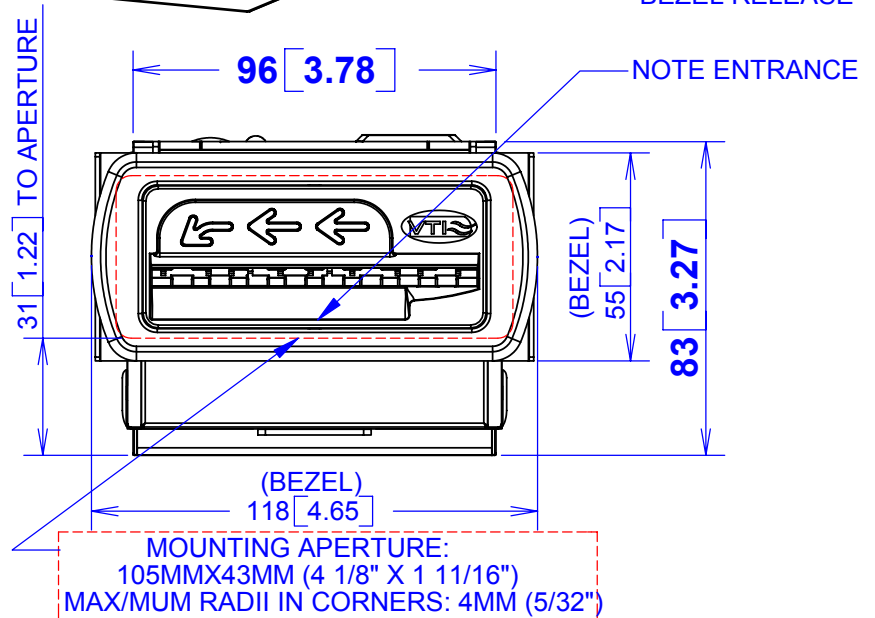
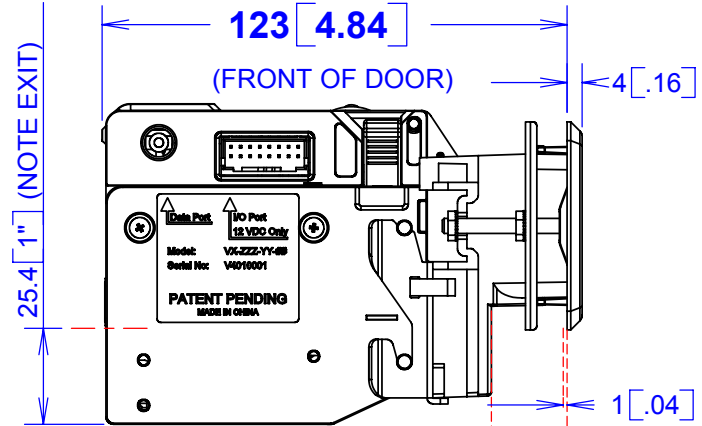
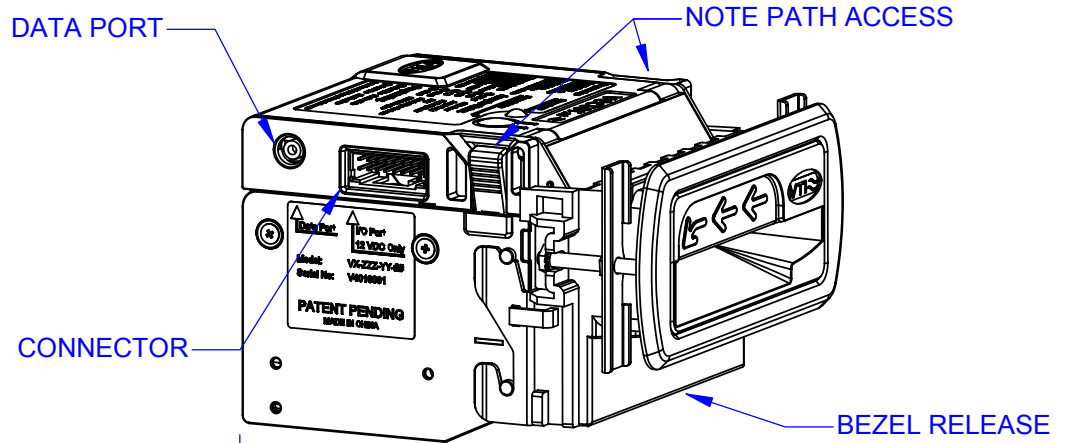
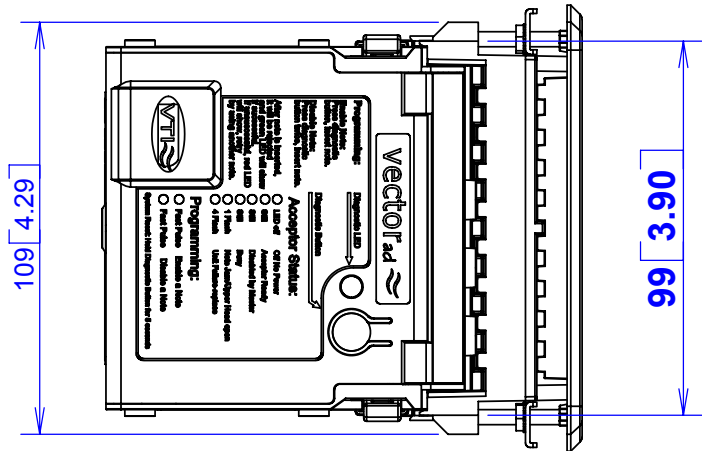


REV.	DESCRIPTION	DATE	APPR
01	UPDATE DRAWING	5/17/2004	WML



20 [.79] (MAX/MUM) (DOOR THICKNESS)

FOR REFERENCE ONLY.
ALWAYS REFER TO LATEST ISSUE.
ALL DIMENSIONS ARE IN MILLIMETERS & INCH.

PROPRIETARY AND CONFIDENTIAL

THE INFORMATION CONTAINED IN THIS DRAWING IS THE SOLE PROPERTY OF ValTech international, LLC. ANY REPRODUCTION IN PART OR AS A WHOLE WITHOUT THE WRITTEN PERMISSION OF ValTech international, LLC IS PROHIBITED.

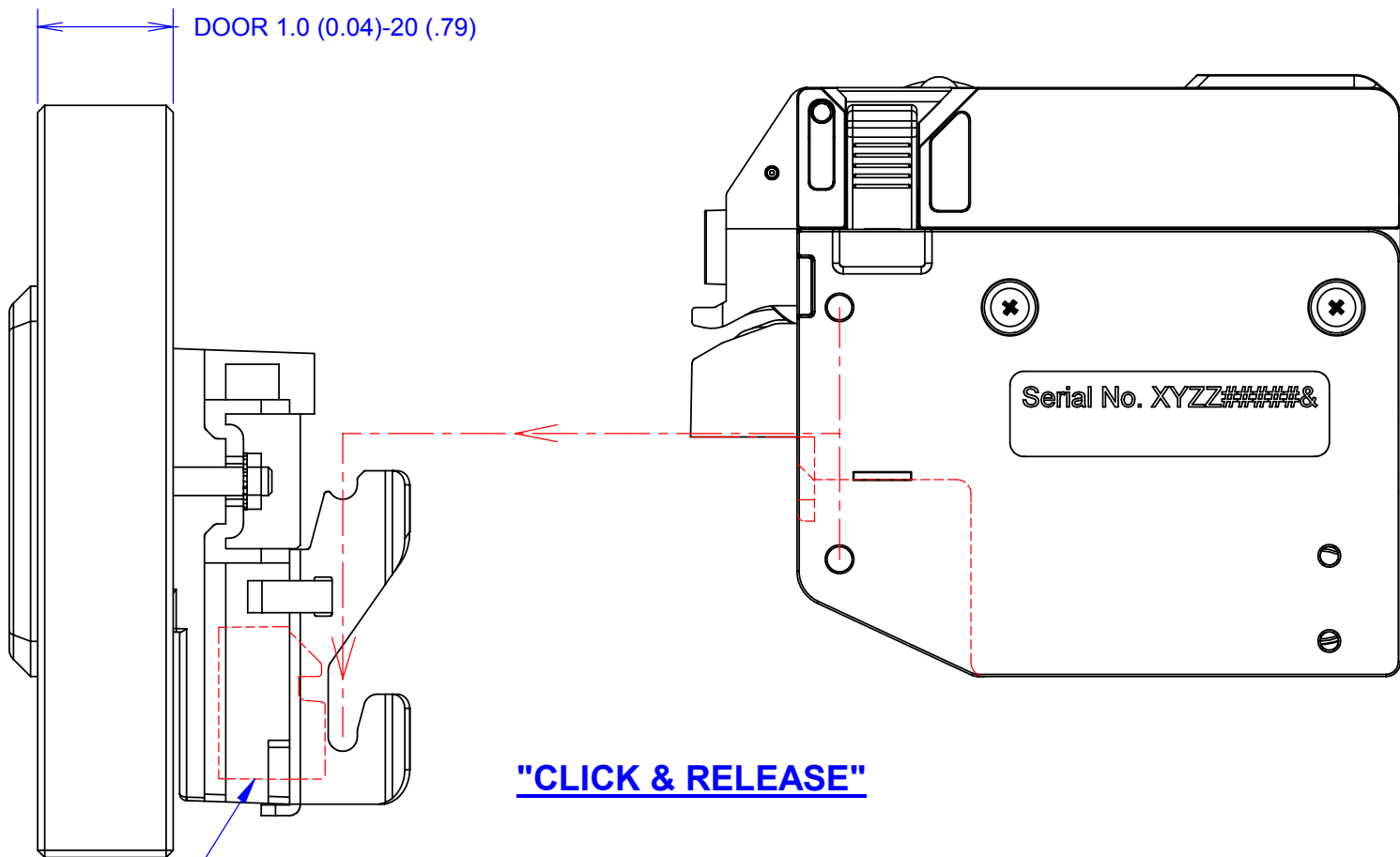
		UNLESS OTHERWISE SPECIFIED:			
		TOLERANCES:		NAME DATE	
		ANGULAR: ±1°		DRAWN WML 05-12-05	
		TWO PLACE DECIMAL: ±.20mm		CHECKED	
		THREE PLACE DECIMAL: ±.10mm		ENG APPR.	
		MATERIAL		MFG APPR.	
		SEE COMPONENTS		Q.A.	
NEXT ASSY USED ON		FINISH		COMMENTS:	
		SEE COMPONENTS			
APPLICATION		DO NOT SCALE DRAWING			



TITLE:
VECTOR AD (60-85MM)-BILL HEAD
(W FP (BEZEL) FOR GLASS DOOR)

SIZE	DWG. NO.	REV.
A	VTA-TLA02	.
SCALE: 1:1	WEIGHT:	SHEET 1 OF 6

REV.	DESCRIPTION	DATE	APPR
-	See Sheet1	-	-



"CLICK & RELEASE"

RELEASE BUTTON

ALL DIMENSIONS ARE IN MILLIMETERS.

PROPRIETARY AND CONFIDENTIAL

THE INFORMATION CONTAINED IN THIS DRAWING IS THE SOLE PROPERTY OF ValTech international, LLC. ANY REPRODUCTION IN PART OR AS A WHOLE WITHOUT THE WRITTEN PERMISSION OF ValTech international, LLC IS PROHIBITED.

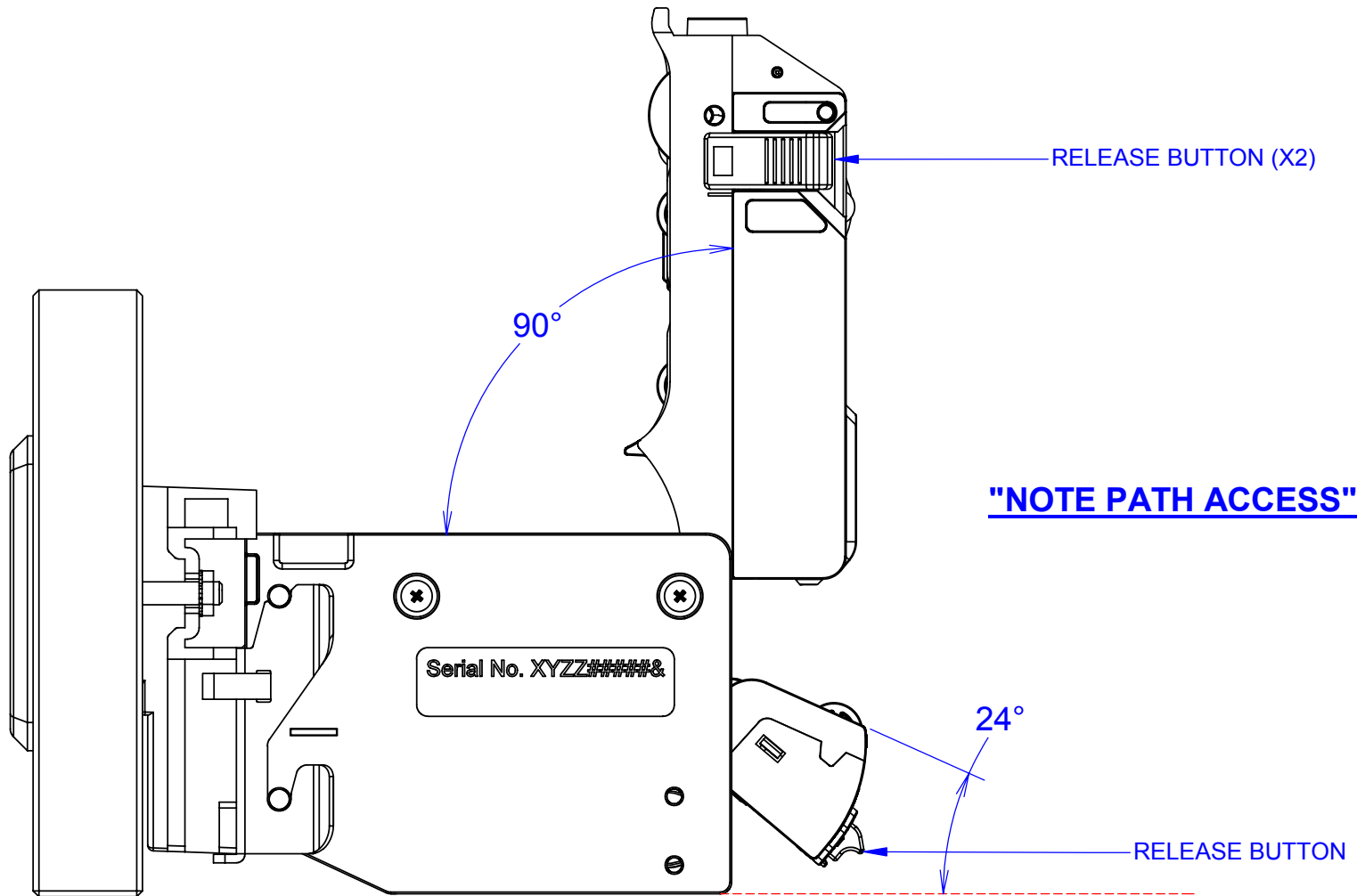
		UNLESS OTHERWISE SPECIFIED:			
		TOLERANCES:		NAME	DATE
		ANGULAR: $\pm 1^\circ$		DRAWN	WML 05-12-05
		TWO PLACE DECIMAL: $\pm .20\text{mm}$		CHECKED	
		THREE PLACE DECIMAL: $\pm .10\text{mm}$		ENG APPR.	
		MATERIAL		MFG APPR.	
		SEE COMPONENTS		Q.A.	
NEXT ASSY	USED ON	FINISH		COMMENTS:	
		SEE COMPONENTS			
APPLICATION		DO NOT SCALE DRAWING			



TITLE:
**VECTOR AD (60-85MM)-BILL HEAD
(W FP (BEZEL) FOR GLASS DOOR)**

SIZE	DWG. NO.	REV.
A	VTA-TLA02	.
SCALE: 1:2		WEIGHT:
		SHEET 2 OF 6

REV.	DESCRIPTION	DATE	APPR
-	See Sheet1	-	-



ALL DIMENSIONS ARE IN MILLIMETERS.

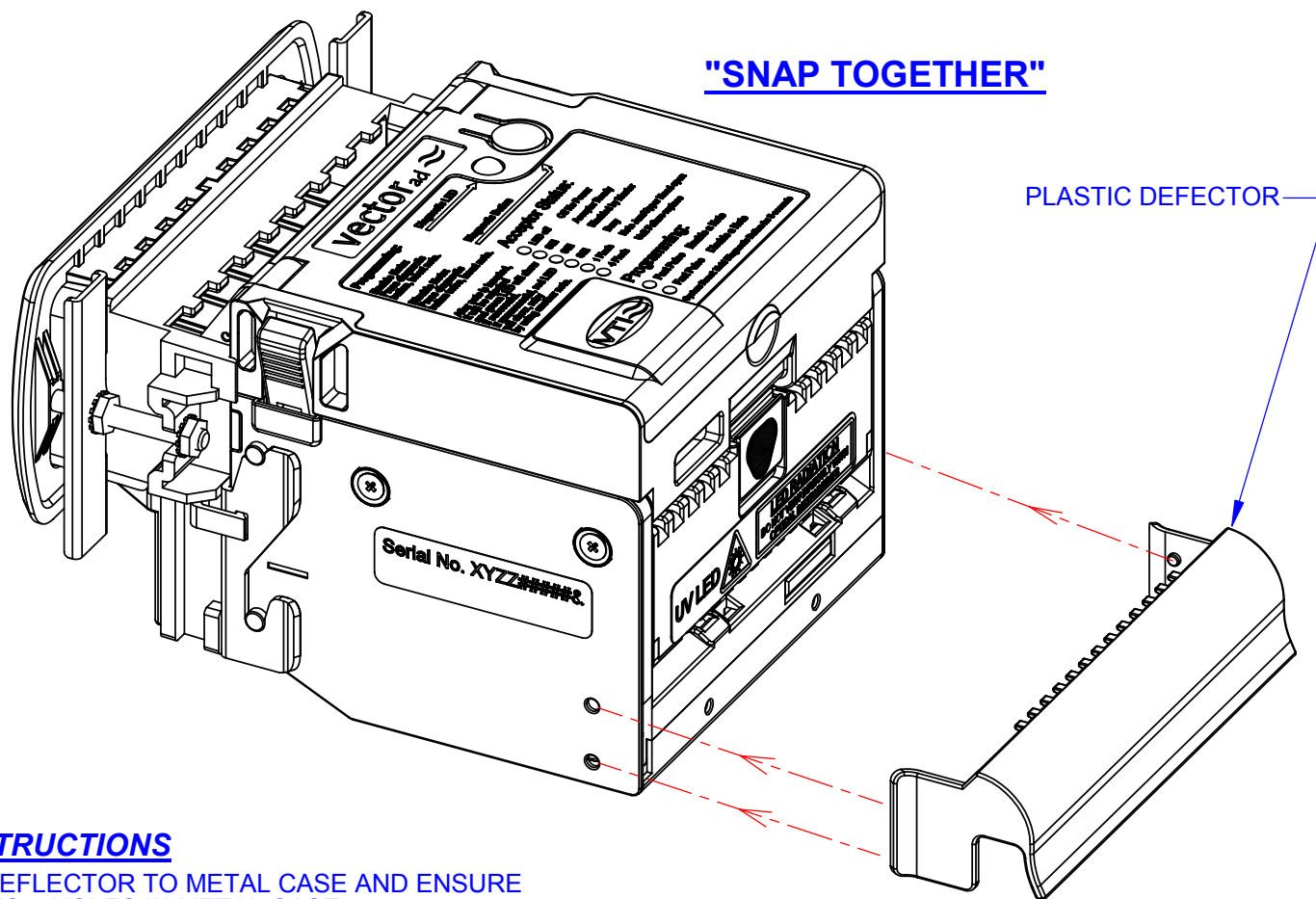
PROPRIETARY AND CONFIDENTIAL
 THE INFORMATION CONTAINED IN THIS DRAWING IS THE SOLE PROPERTY OF ValTech international, LLC. ANY REPRODUCTION IN PART OR AS A WHOLE WITHOUT THE WRITTEN PERMISSION OF ValTech international, LLC IS PROHIBITED.

		UNLESS OTHERWISE SPECIFIED:			
		TOLERANCES:		NAME	
		ANGULAR: ±1°		DATE	
		TWO PLACE DECIMAL: ±.20mm		DRAWN WML 05-12-05	
		THREE PLACE DECIMAL: ±.10mm		CHECKED	
		MATERIAL		ENG APPR.	
		SEE COMPONENTS		MFG APPR.	
NEXT ASSY		USED ON		Q.A.	
		FINISH		COMMENTS:	
		SEE COMPONENTS			
APPLICATION		DO NOT SCALE DRAWING			



TITLE:		
VECTOR AD (60-85MM)-BILL HEAD (W FP (BEZEL) FOR GLASS DOOR)		
SIZE	DWG. NO.	REV.
A	VTA-TLA02	.
SCALE: 1:2	WEIGHT:	SHEET 3 OF 6

REV.	DESCRIPTION	DATE	APPR
-	See Sheet1	-	-



ASSEMBLY INSTRUCTIONS


- 1) SNAP PLASTIC DEFLECTOR TO METAL CASE AND ENSURE 4 BOSSES FIT INTO 4 HOLES IN METAL CASE.

ALL DIMENSIONS ARE IN MILLIMETERS.

PROPRIETARY AND CONFIDENTIAL

THE INFORMATION CONTAINED IN THIS DRAWING IS THE SOLE PROPERTY OF ValTech international, LLC. ANY REPRODUCTION IN PART OR AS A WHOLE WITHOUT THE WRITTEN PERMISSION OF ValTech international, LLC IS PROHIBITED.

UNLESS OTHERWISE SPECIFIED:		NAME	DATE
TOLERANCES:		WML	05-12-05
ANGULAR: $\pm 1^\circ$		DRAWN	CHECKED
TWO PLACE DECIMAL: $\pm 0.20\text{mm}$		ENG APPR.	
THREE PLACE DECIMAL: $\pm 0.10\text{mm}$		MFG APPR.	
MATERIAL		Q.A.	
SEE COMPONENTS		COMMENTS:	
NEXT ASSY	USED ON		
FINISH			
SEE COMPONENTS			
APPLICATION		DO NOT SCALE DRAWING	



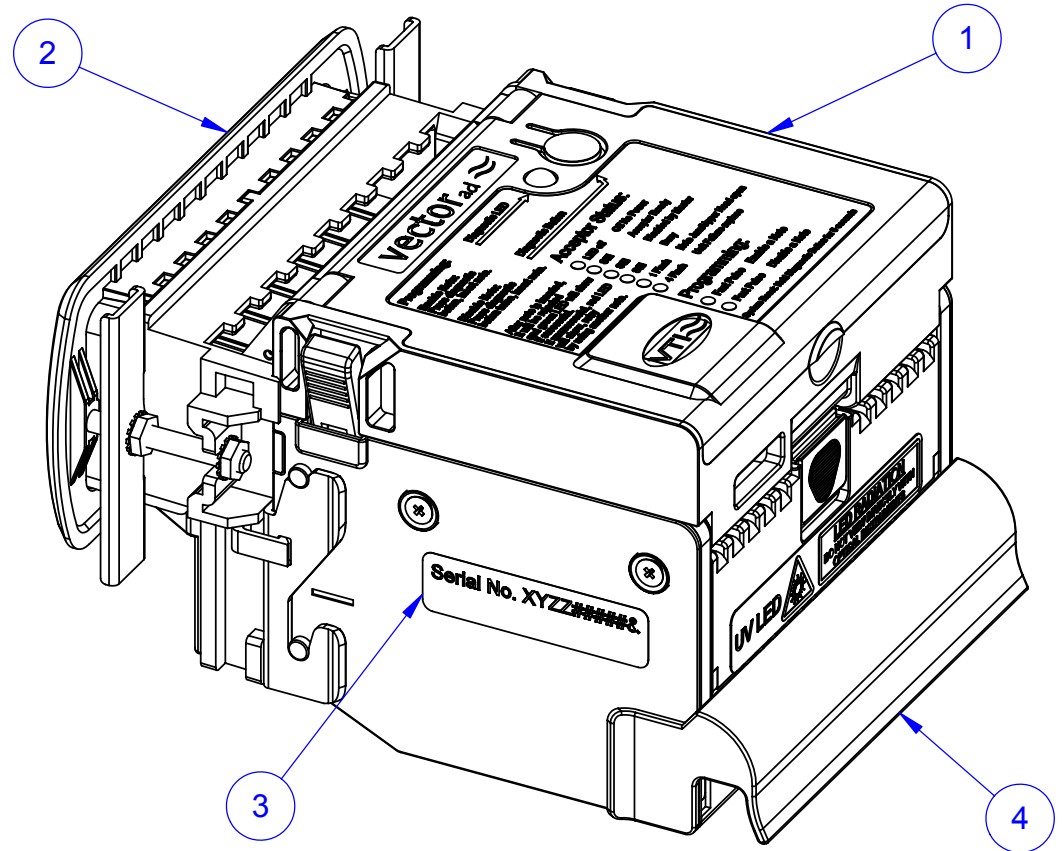
VTI
ValTech International

TITLE:
VECTOR AD (60-85MM)-BILL HEAD
(W FP (BEZEL) FOR GLASS DOOR)

SIZE **A** DWG. NO. **VTA-TLA02** REV. **.**

SCALE: 1:2 WEIGHT: SHEET 4 OF 6


ITEM NO.	PART NUMBER	DESCRIPTION	SHEET-5 QTY.	REV.	DESCRIPTION	DATE	APPR
1	VTA-TLA03	MAIN- ASSEMBLY	1	-	See Sheet1	-	-
2	VTA-FPA04	FACEPLATE ASSY.-GLASS DOOR	1				
3	VT-TLAL02-02	LABEL, SERIAL NO.	1				
4	VT-OPAP01-01	DEFLECTOR, NOTE EXIT	1				



ALL DIMENSIONS ARE IN MILLIMETERS.

PROPRIETARY AND CONFIDENTIAL
 THE INFORMATION CONTAINED IN THIS DRAWING IS THE SOLE PROPERTY OF ValTech international, LLC. ANY REPRODUCTION IN PART OR AS A WHOLE WITHOUT THE WRITTEN PERMISSION OF ValTech international, LLC IS PROHIBITED.

UNLESS OTHERWISE SPECIFIED:		NAME	DATE
TOLERANCES:		WML	05-12-05
ANGULAR: $\pm 1^\circ$			
TWO PLACE DECIMAL: $\pm .20\text{mm}$			
THREE PLACE DECIMAL: $\pm .10\text{mm}$			
MATERIAL			
SEE COMPONENTS			
FINISH			
SEE COMPONENTS			
NEXT ASSY	USED ON	COMMENTS:	
APPLICATION		DO NOT SCALE DRAWING	

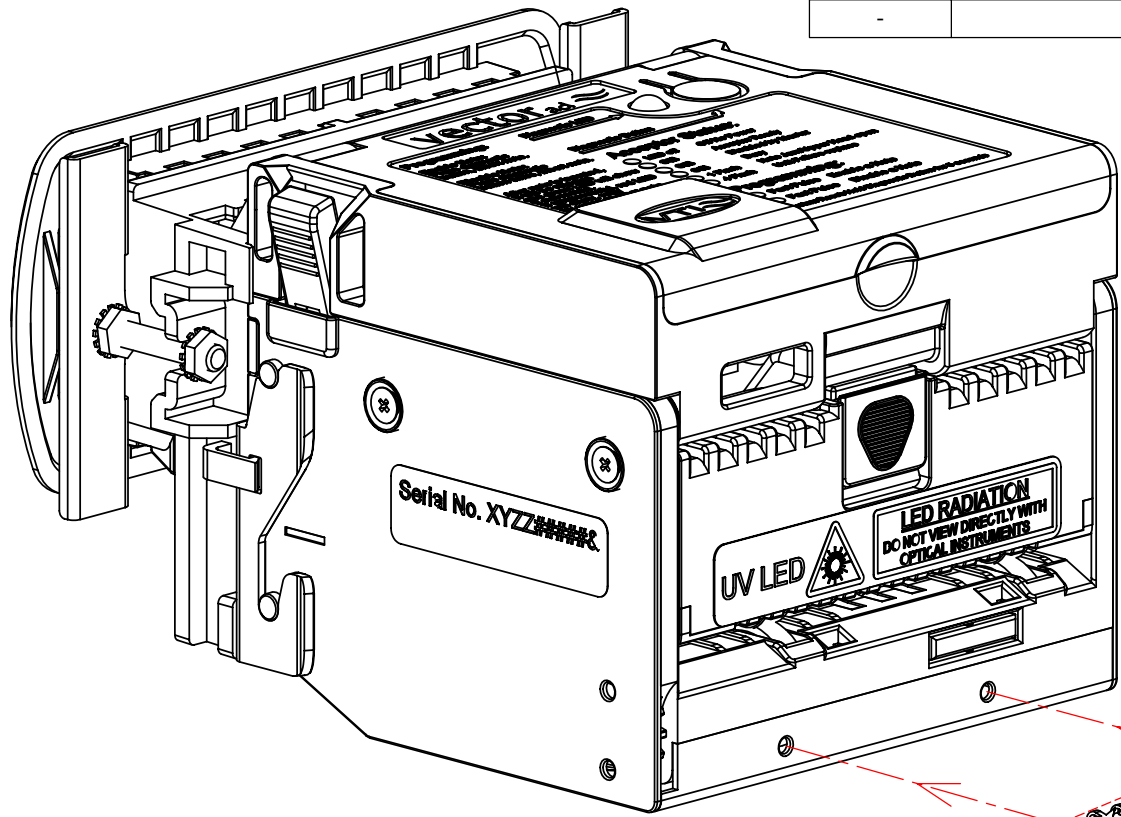


TITLE:
 VECTOR AD (60-85MM)-BILL HEAD
 (W FP (BEZEL) FOR GLASS DOOR)

SIZE **A** DWG. NO. **VTA-TLA02** REV. **.**

SCALE: 1:2 WEIGHT: SHEET 5 OF 6

REV.	DESCRIPTION	DATE	APPR
-	See Sheet1	-	-



VTA-OPA01 (SECURE GATE SET)

"OPTION"

INSTALL INSTRUCTION

INSTALL VT-OPAP02 (SECURE GATE) TO THE METAL CASE
USED TWO M3 MACHINE SCREWS.

ALL DIMENSIONS ARE IN MILLIMETERS.

PROPRIETARY AND CONFIDENTIAL
THE INFORMATION CONTAINED IN THIS DRAWING IS THE SOLE PROPERTY OF ValTech international, LLC. ANY REPRODUCTION IN PART OR AS A WHOLE WITHOUT THE WRITTEN PERMISSION OF ValTech international, LLC IS PROHIBITED.

		UNLESS OTHERWISE SPECIFIED:			
		TOLERANCES:		NAME	DATE
		ANGULAR: ±1°		DRAWN	WML 05-12-05
		TWO PLACE DECIMAL: ±.20mm		CHECKED	
		THREE PLACE DECIMAL: ±.10mm		ENG APPR.	
		MATERIAL		MFG APPR.	
		SEE COMPONENTS		Q.A.	
NEXT ASSY	USED ON	FINISH		COMMENTS:	
		SEE COMPONENTS			
APPLICATION		DO NOT SCALE DRAWING			



TITLE:		
VECTOR AD (60-85MM)-BILL HEAD (W FP (BEZEL) FOR GLASS DOOR)		
SIZE	DWG. NO.	REV.
A	VTA-TLA02	.
SCALE: 1:2	WEIGHT:	SHEET 6 OF 6