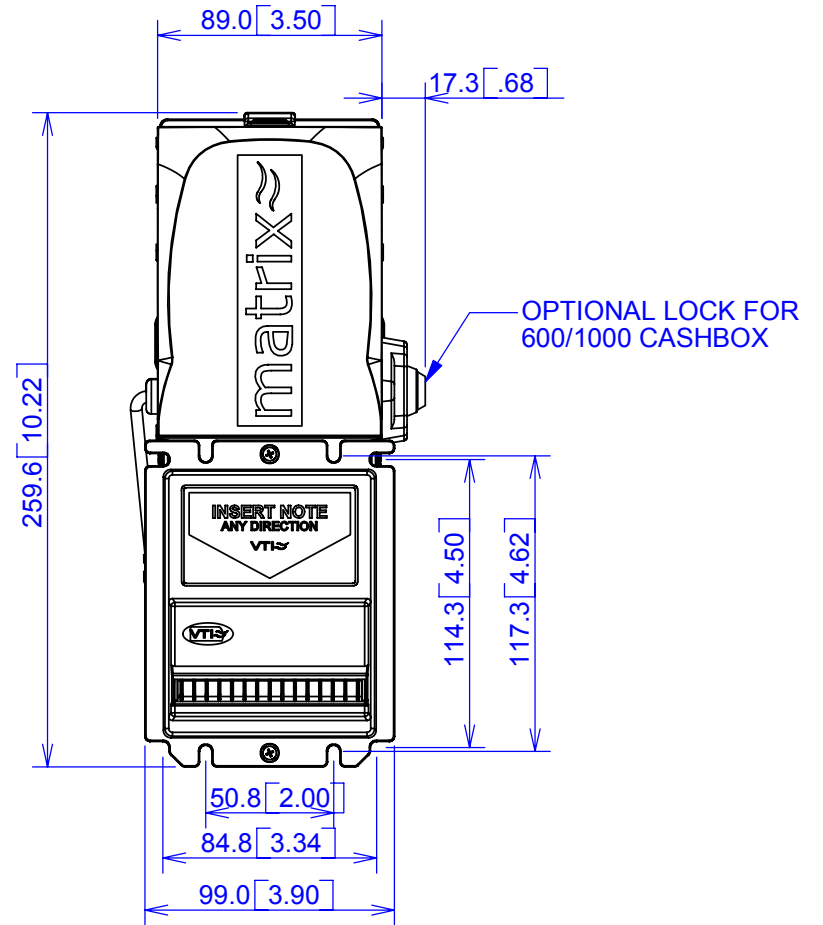
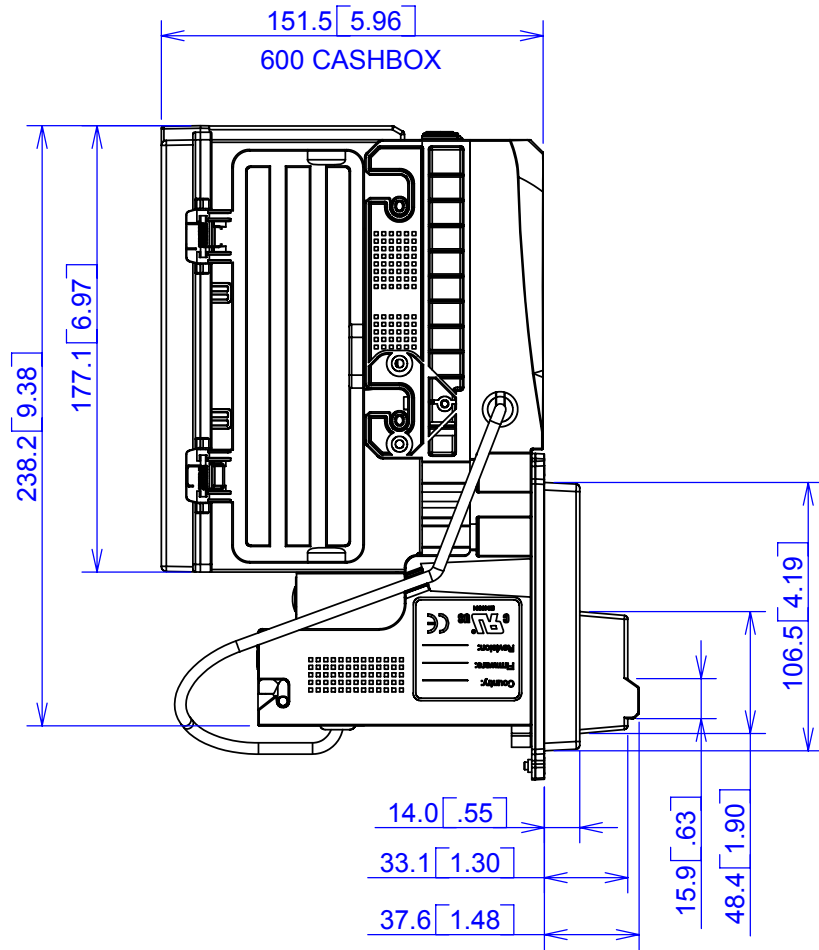


REV.	DESCRIPTION	DATE	APPR
-	See Sheet1	-	-



ALL DIMENSIONS ARE IN MILLIMETERS.

PROPRIETARY AND CONFIDENTIAL
 THE INFORMATION CONTAINED IN THIS DRAWING IS THE SOLE PROPERTY OF ValTech international, LLC. ANY REPRODUCTION IN PART OR AS A WHOLE WITHOUT THE WRITTEN PERMISSION OF ValTech international, LLC IS PROHIBITED.

		UNLESS OTHERWISE SPECIFIED:			
		TOLERANCES:		NAME DATE	
		ANGULAR: ±1°		DRAWN TPR 06-07-04	
		TWO PLACE DECIMAL: ±.20mm		CHECKED	
		THREE PLACE DECIMAL: ±.10mm		ENG APPR. WML 06-07-04	
		MATERIAL		MFG APPR.	
		SEE COMPONENTS		Q.A.	
NEXT ASSY USED ON		FINISH		COMMENTS:	
		SEE COMPONENTS			
APPLICATION		DO NOT SCALE DRAWING			



TITLE:
MATRIX
 UP 3/4" FP, 600 CB

SIZE A	DWG. NO. VAA-TLA01	REV.
SCALE: 1:3	WEIGHT:	SHEET 2 OF 3