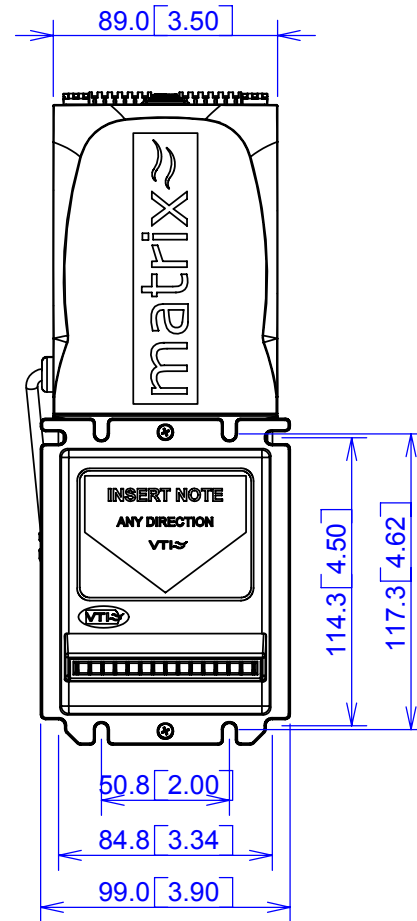
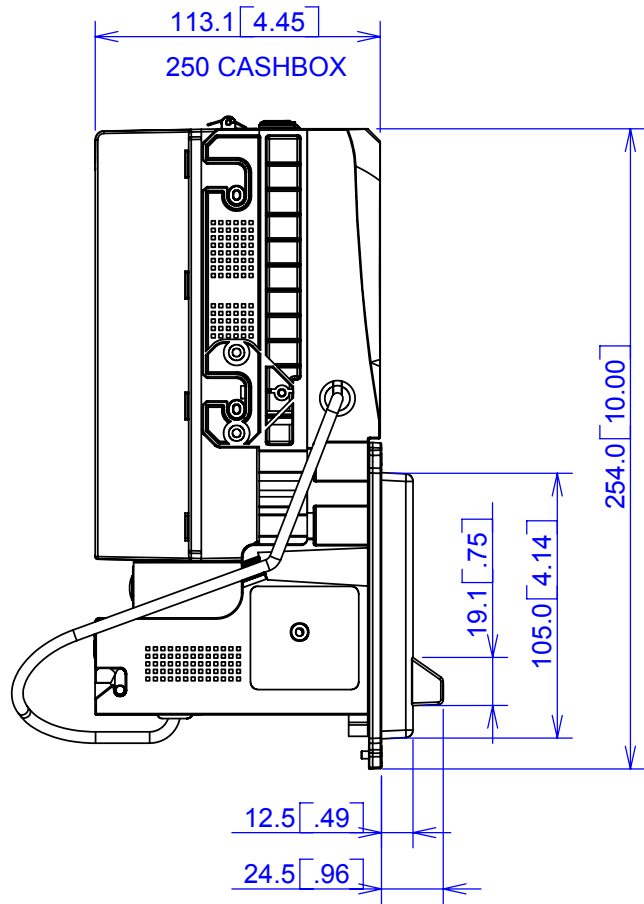


REV.	DESCRIPTION	DATE	APPR.
------	-------------	------	-------



ALL DIMENSIONS ARE IN MILLIMETERS.

**PROPRIETARY AND CONFIDENTIAL**

THE INFORMATION CONTAINED IN THIS DRAWING IS THE SOLE PROPERTY OF ValTech international, LLC. ANY REPRODUCTION IN PART OR AS A WHOLE WITHOUT THE WRITTEN PERMISSION OF ValTech international, LLC IS PROHIBITED.

		UNLESS OTHERWISE SPECIFIED:			
		TOLERANCES:		NAME	DATE
		ANGULAR: ±1°		DRAWN	TPR 06-07-04
		TWO PLACE DECIMAL: ±.20mm		CHECKED	
		THREE PLACE DECIMAL: ±.10mm		ENG APPR.	WML 06-07-04
		MATERIAL		MFG APPR.	
		SEE COMPONENTS		Q.A.	
NEXT ASSY	USED ON	FINISH		COMMENTS:	
		SEE COMPONENTS			
APPLICATION		DO NOT SCALE DRAWING			



**TITLE:**  
**MATRIX**  
**FLUSH FP, 250 CB**

SIZE **A** DWG. NO. **VAA-TLA01** REV.

SCALE: 1:3 WEIGHT: SHEET 1 OF 3