

vector+

Ultimate Security Is Now Affordable



Worldwide Application

Able to validate bank notes from 60 mm to 85 mm, the Vector is your global stackerless validator solution for every application.

Universal Solutions

VTI validators are available with a broad range of interfaces, including VTI's **direct USB**, TTL/RS232, MDB, Parallel, Serial, Pulse and CCTalk. The Vector+ is RoHS-compliant and is ideal for GSM-based applications.

The Ultimate in Security

Superior sensor technology for unsurpassed counterfeit detection coupled with mechanical anti-stringing (MAS) provides superlative performance.

Third Party Software Support

The Vector+ features the same USB interface as the revolutionary Matrix, eliminating the need for serial expansion cards to interface your bill validator to the PC. The direct USB interface is also supported by most third party application software, offering you a "plug and play" solution to your design.

Software in a Flash

Software uploads/upgrades are but a "flash" away via the Vector high speed data port. Software updates can be e-mailed to you or found on our website.

Simplified Configuration and Diagnosis

With VTI's PC link and PDA link, configuration changes and troubleshooting have never been easier.

Currency Validation without Compromise



INTERFACES

Pulse, Parallel, MDB, USB, Serial, TTL/RS232, CCTalk
(Optional Battery/Low Power Interface)

POWER SOURCES

+12 VDC (Standard)
80-240 VAC 50/60 Hz (Optional)
18-42 VDC (MDB)

NOTE INSERTION

4 Ways, Lengthwise
20 Denominations

NOTES VALIDATED

60 mm to 85 mm in width

CURRENT CONSUMPTION

Standby: 140 mA
Validating: 500 mA
Max/Stalled: 1000 mA

HARNESS

All Cables/Looms provided as standard equipment

ENVIRONMENTAL

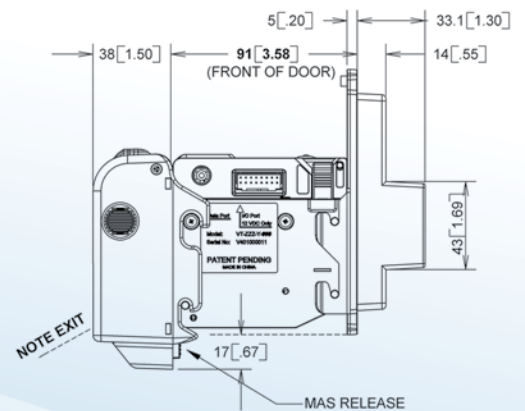
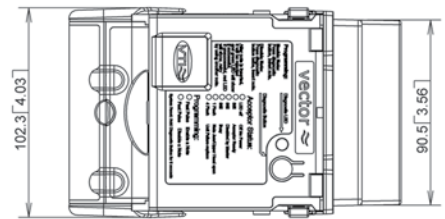
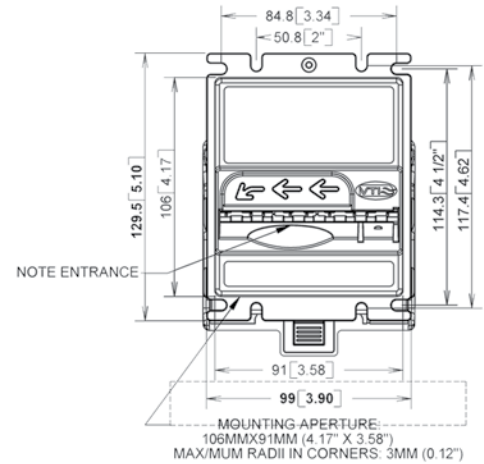
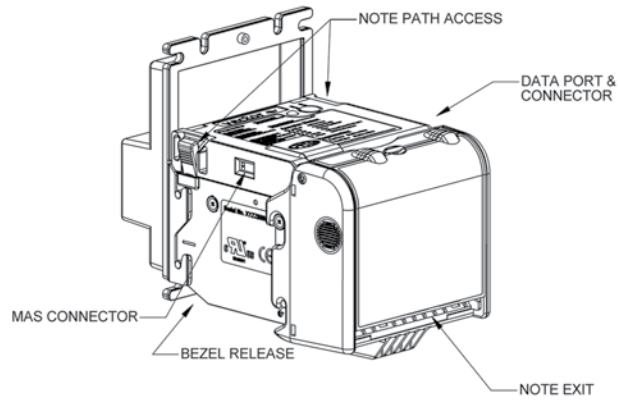
Operating temp: 0° C to 60° C
Storage temp: -5° C to 15° C
Humidity: 5% to 95% Rh (non-condensing)

ACCEPTANCE RATE

Greater than 95% (in normal conditions)

WARRANTY

2 Years Parts and Labor



North & South America: U.S.A.

ValTech Industries, LLC
Phone: +1-702-873-4866
Fax: +1-702-873-6401
sales@valtechinternational.com

Europe & Africa: Austria

Validation Technologies Handels GmbH
Phone: +43-1-706 83 20
Fax: +43-1-706 83 21
vta-sales@valtechinternational.com

Asia: China

Validation Technologies (Far East) Ltd.
Phone: +86-755-83661269
Fax: +86-755-83661169
salesprc@valtechinternational.com



www.valtechinternational.com